

Clarke®

PUMP



SWIMMING POOL PUMP

MODEL NO: SPP10A

PART NO: 7175031

OPERATION & MAINTENANCE INSTRUCTIONS

UK
CA | CE



ORIGINAL INSTRUCTIONS

GC0322 - Rev 1

INTRODUCTION

Thank you for purchasing this CLARKE Swimming Pool Pump.

Before attempting to operate the pump, it is essential that you read this manual thoroughly and carefully follow all instructions given. In doing so you will ensure the safety of yourself and that of others around you, and you can also look forward to the pump giving you long and satisfactory service.

This self-priming, centrifugal swimming pool pump is designed for the filtration of small to medium size swimming pools and for pumping clean water only. Operating with contaminated or salt water should be avoided. When used with permanently installed pools, the pump should be fixed in a horizontal position and the use of a non-return valve will facilitate immediate priming. The pump inlet is higher than the impeller inlet so that it can start operating when only the pump body is filled with water.

Upon receipt, any damage or deficiency should be reported to your CLARKE dealer immediately.

CONTENTS

- 1 x Swimming Pool Pump (c/w integral Pre-filter Basket)
- 2 x Inlet /Outlet Connectors
- 2 x Inlet /Outlet Connector fixing nuts
- 2 x Inlet /Outlet Connector O-Ring Seals
- 1 x Filter Cover Removal Wrench

GUARANTEE

This product is guaranteed against faulty manufacture for a period of 12 months from the date of purchase. Please keep your receipt which will be required as proof of purchase.

This guarantee is invalid if the product is found to have been abused or tampered with in any way, or not used for the purpose for which it was intended.

Faulty goods should be returned to their place of purchase, no product can be returned to us without prior permission.

This guarantee does not effect your statutory rights.

GENERAL SAFETY PRECAUTIONS



WARNING: THIS SWIMMING POOL PUMP IS NOT A SUBMERSIBLE PUMP. ON NO ACCOUNT SHOULD IT EVER BE IMMERSSED IN WATER.

WARNING: ALWAYS CONNECT THE PUMP TO AN EARTHED POWER SUPPLY VIA A RCD.

1. ALWAYS keep the pump room clean and well lit. Floors should always be kept clear. Cluttered or dark areas invite accidents.
2. NEVER over-reach. Keep your proper footing and balance at all times when installing or maintaining the pump.
3. NEVER direct any water discharge towards electrical wiring or equipment.
4. ALWAYS thoroughly familiarise yourself with this pump & its operation, and follow all instructions in this manual. Never allow persons unfamiliar with these instructions to operate the pump.
5. ALWAYS ensure that the pump is properly installed to prevent it from moving during operation, and that the immediate area surrounding the pump is kept clear.
6. ALWAYS maintain the pump with care and keep it clean for best / safest performance.
7. NEVER use this product if any part is damaged. Have it inspected and repaired by your local CLARKE dealer. Always turn the pump off before carrying out any maintenance.
8. NEVER modify this pump in any way. Use it ONLY for the purpose for which it is designed.
9. NEVER use for pumping flammable liquids or corrosive chemicals. This pump is designed to pump clean water only.
10. NEVER switch the pump ON when the pool is in use. ALWAYS disconnect the pump from the electrical supply when the pool is in use.
11. This pump must be connected to an earthed power supply via a RCD.
12. ALWAYS have the pump serviced by your local CLARKE dealer, using only identical replacement parts. This will ensure the safety of the pump is maintained. The use of non standard parts could be hazardous.
13. Your CLARKE water pump has been designed to give long and trouble free service. If, however, having followed the instructions in this booklet carefully, you encounter problems, take the unit to your local CLARKE dealer.
14. Please keep these instructions in a safe place for future reference.

ELECTRICAL CONNECTIONS



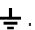
WARNING: READ THESE ELECTRICAL SAFETY INSTRUCTIONS THOROUGHLY BEFORE CONNECTING THE PRODUCT TO THE MAINS SUPPLY.

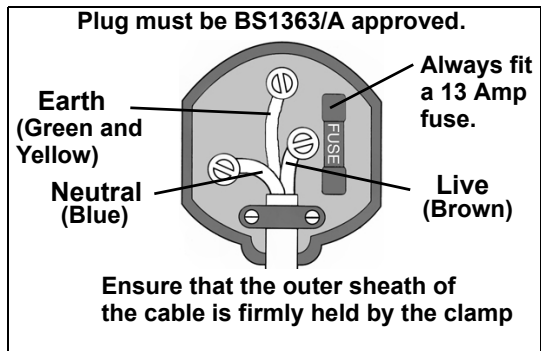
Connect the mains lead to a standard, 230 Volt (50Hz) electrical supply through an approved 13 amp BS 1363 plug, or a suitably fused isolator switch. If the plug has to be changed because it is not suitable for your socket, or because of damage, it must be removed and a replacement fitted, following the wiring instructions shown below. The old plug must be discarded safely, as insertion into a power socket could cause an electrical hazard.



**WARNING: THE WIRES IN THE POWER CABLE OF THIS PRODUCT ARE COLOURED IN ACCORDANCE WITH THE FOLLOWING CODE:
BLUE = NEUTRAL BROWN = LIVE YELLOW AND GREEN = EARTH**

If the colours of the wires in the power cable do not agree with the markings on the plug.

- The BLUE wire must be connected to the terminal marked N.
- The BROWN wire must be connected to the terminal marked L.
- The YELLOW AND GREEN wire must be connected to the terminal marked E or .



AN APPROVED RESIDUAL CURRENT DEVICE (RCD) WHICH HAS A TRIPPING CURRENT OF LESS THAN 30MA MUST BE USED.

If you are not sure, consult a qualified electrician. DO NOT try to do any repairs.

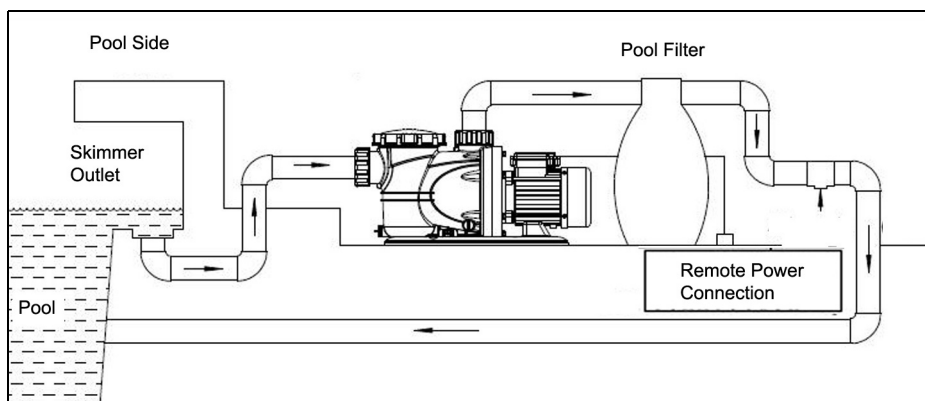
INSTALLATION

Because of the variety of possible installations, no plumbing accessories are supplied with your pump, however accessories are available from your nearest CLARKE dealer. Contact your CLARKE dealer for further information.

NOTE: It is recommended that the end user should consult a qualified installer if there are any doubts as to the suitability of this product for a particular installation.

IMPORTANT: *The pump MUST NOT be connected to the mains power supply until all hose/pipe installation is completed.*

INSTALLATION OF THE PUMP



A typical installation of the pump is shown above. The pump must always be installed and operated in a horizontal position i.e. with the outlet port facing vertically upwards. The fixing holes in the base should be used to secure the pump firmly in its operating position. Mount the pump on raised blocks or a purpose built platform to protect it from flooding.

Always ensure there is adequate air circulation around the motor and that the transparent filter cover is accessible so that the filter basket can be removed for cleaning. The pump should be installed in a dry, well ventilated enclosure, sheltered from rain, such as a purpose built pump room.

The pump is usually installed between the pool skimmer and the pool filter and should be positioned as near to the pool water level as possible.

ELECTRICAL CONNECTION

The pump should be located at a safe distance, (usually 2 metres), away from the pool, and the power supply should be at least 3.5 metres from the pool. If in doubt, please contact your electrical specialist and refer to the International Electrical Commission (IEC) standard, (Electrical Installations for Buildings-part 7), referring to 'swimming pools and other basins'.

Avoid situations where the pump could become drenched with water as neither the motor or terminal box are designed to be waterproof. Ensure the pump & its cable do not create a safety hazard for people walking past it.

PIPE/HOSE CONNECTIONS

The pump inlet will be connected to the pool skimmer and/or pool drain connection, depending upon the installation layout, and the discharge outlet should be connected to your water filter.

The inlet and outlet adaptors supplied with the pump are designed to fit to rigid pipe-work. The inner bore diameter of the adaptors is 50 mm. Therefore pipes with the same nominal diameter should be used. These should be fixed in place using a proprietary adhesive/sealant suitable for pressurised pipework applications.

These can be extended with the use of suitable 50 mm I/D hose secured with a worm drive clip. Ensure all connections are air tight. Tighten them enough to secure the hose during pressurised operation, but not so tight as to crack the plastic inlet/outlet connectors.

Where the pump is to be a permanent fixture, vibration and strain on adjacent parts can be reduced by the insertion of a short flexible section of hose between any rigid pipework and the immediate area of the pump.

Any air leaks in the suction line will inhibit priming and reduce the capacity of the pump. Ensure there are no kinks in any flexible hose used.

The performance of your pump will be affected by the diameter of the inlet pipe - any restriction will greatly reduce the flow. We recommend that you always use a pipe diameter at least equal to, or greater than the diameter of the pump connections i.e. 50 mm diameter.

To prevent unnecessary strain or possible distortion to the pump, ensure that adequate support is provided to the hoses and or pipes. They will be considerably heavier when filled with water.

It is suggested that suction and delivery isolation valves are fitted in order to isolate the pump. A gate valve may be installed in-line on the delivery side (outlet port) of the pump which can be adjusted as required to regulate the flow of water and can assist in priming the pump.

Protect the pump and pipework from freezing with the addition of suitable lagging. The formation of ice may cause serious damage.

OPERATION

1. Open any valves in the pipeline.
2. If operating the pump for the first time, unscrew the filter cover on top of the pump using the wrench supplied and prime the pump by filling completely with water.

NOTE: The pump is only self-priming when filled with water. Refilling is only necessary if the pump has been drained, or if all the water has been lost.



3. Connect to the power supply and switch on. Water should start to flow through the system. Check for any leaks and repair as necessary.
 4. If the motor fails to start, or the pump does not deliver water, refer to TROUBLESHOOTING on page 10. Never operate the pump when not filled with water or if the inlet is blocked.
 - The level of water in the pump can be seen through the transparent filter cover.
- NOTE:** Filling the suction pipe with water will speed up the priming process, and it is suggested that a non-return valve be fitted to the end of the suction pipe.
5. Stop the pump by switching off the power supply.

CARE DURING USE

1. Do not allow the pump to run dry, otherwise the seal between the pump and motor may be damaged. If a leak is noticed at this point, it may indicate that the seal is worn and therefore in need of replacement. Contact your CLARKE dealer, or the CLARKE International Service Department for advice.
2. In the event of a blockage, where debris has entered the suction chamber, the sieve and chamber can be cleaned out as described under MAINTENANCE.
3. Should contaminants come into contact with the pump, flush through with cold water as soon as possible to prevent damage to the pump. DO NOT USE for pumping chemicals or other corrosive liquids (other than pool purification chemicals in their correct mix ratio).

4. If the pump is being used to drain the pool, ensure there is adequate drainage and there is no risk of damage to property as a result of water being discharged. If a flexible hose must be laid across a roadway, protect it with wooden planking.

MAINTENANCE

The only maintenance required is a regular inspection to ensure that debris is not blocking the passage of water through the pump.

Clean the filter basket periodically after closing any inlet and delivery valves and removing the filter cover, using the wrench provided. Lift out the filter basket and clean it in water, check the cover O-ring is in good condition before reassembly.

If you suspect the pump is blocked by silt, leaf debris etc, disconnect it from the mains supply and backflush to clear any blockage through the drain plug. You will need to disconnect the outlet hose to do this.



Always keep the pump in a clean condition, checking regularly for loose bolts or a damaged power cable etc.

AFTER USE

After use, and if the pump will not be used over the winter period, or whenever there is danger of freezing, always drain the pump body. If the pump has been used with contaminated or salty water, it should be thoroughly flushed with clean water following use, both inside and out. It should then be drained before replacing the drain plug, and covered over, if not already installed in a clean, dry environment sheltered from the weather. Remember to re-prime the pump when returning to service.

In the event that dismantling and overhaul of the pump is necessary, contact your CLARKE International Service Department on 020-8988-7400.

ENVIRONMENTAL RECYCLING POLICY



Through purchase of this product, the customer is taking on the obligation to deal with the WEEE in accordance with the WEEE regulations in relation to the treatment, recycling & recovery and environmentally sound disposal of the WEEE.

In effect, this means that this product must not be disposed of with general household waste. It must be disposed of according to the laws governing Waste Electrical and Electronic Equipment (WEEE) at a recognised disposal facility.

SPECIFICATIONS

Model Number	SPP10A
Pump type	Centrifugal
Weight	10.05 kg
Dimensions (L x W x H)	553 x 190 x 267 mm
Max Flow	366 L/min
Max Head	15 m
Operating Temperature	35°C
Water Classification	Swimming Pool/Clean Water
Inlet & Outlet Size	50 i/d / 56 o/d (mm)
Power Supply	220-240V @ 50Hz
Ingress protection rating	IPX5
Output Power	1 HP (750 W)
Sound Pressure Level	62.8 dB LpA
Sound Power Level	75 dB LwA
Guaranteed Sound Power	78 dB LwA

Please note that the details and specifications contained herein, are correct at the time of going to print. However, CLARKE International reserve the right to change specifications at any time without prior notice.

TROUBLESHOOTING

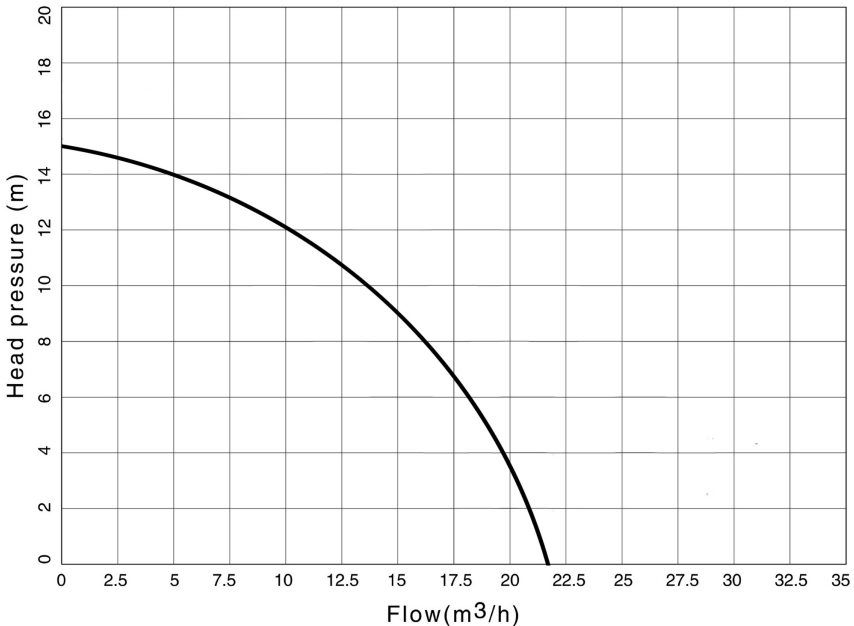
PROBLEM	CAUSE	SOLUTION
Pump does not run.	No mains supply	Check fused power supply and replace fuse if necessary (check fuse rating). Check circuit breaker.
	Impeller seized/blocked	Disconnect pump from mains supply. Investigate cause and clear blockage.
Pump fails to prime	Air leaks through suction hose joints (damaged hose, broken clamp, damaged/ill-fitting gasket)	Repair connections/replace hose as necessary.
	Blocked inlet hose.	Check pipeline and pool skimmer for blockage. Check any inlet valve fitted is fully open.
Pump runs but give poor output	Pump inlet filter basket is blocked.	Check and clean filter basket.
	Congested material inside pump.	Clean out filter basket & backflush pump.
	Suction or delivery line obstructed.	Remove obstruction and ensure there are no kinks in delivery line
	Inlet pipe leakage.	Check inlet pipe & connector for leaks. Tighten as required.
	Air leaks through damaged seal.	Renew seal.
	Impeller damaged and making poor seal.	Return to your CLARKE dealer for repair.
	Impeller / mechanical seal is badly worn.	Return to your CLARKE dealer for repair.
	High friction losses in the suction line.	Avoid unnecessary curves, restrictions or valves.
	Pump badly sited resulting in suction lift too high.	Set pump as close as possible to the level of the water to be pumped.
Sudden loss of flow.	Blockage of inlet pipe.	Check pipeline and pool skimmer for blockage.

PROBLEM	CAUSE	SOLUTION
Undue vibration or noise.	Excessive flow of water.	Decrease flow of water. by adjusting inlet/outlet valves in system.
	Resistance in inlet pipe caused by obstruction	Check pipe and clean out as necessary.
	Loose rotating component	Return to your CLARKE dealer for repair.
	Installation of pump is unstable.	Stop pump and re-position.
	Air pocket in pump or pipeline.	Release drain plug in impeller housing to release air.
	Damaged impeller	Return to your CLARKE dealer for repair.

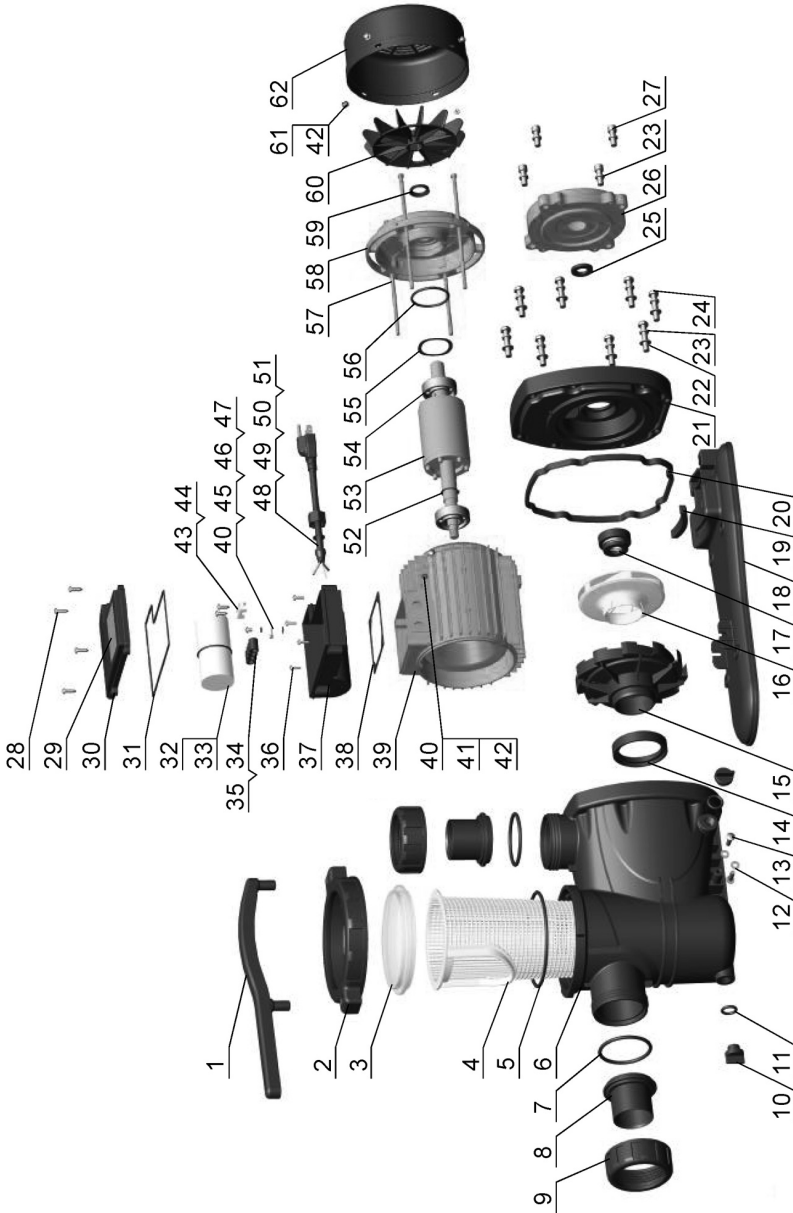
If this does not solve your problem, please contact the CLARKE service department.

PERFORMANCE

Flow and Input power



COMPONENT PARTS DIAGRAM



COMPONENT PARTS LIST

1	Top Cover wrench	32	Capacitor
2	Top cover	33	5 x 2.65 O-ring
3	Filter cover	34	Retardant block
4	Sieve/Basket	35	Clamp wire cap
5	135x4.5 O-ring	36	M4 x10 bolt
6	Pump body	37	Terminal box
7	66 x4.7 O-ring	38	Gasket
8	Water outlet connector	39	Motor stator
9	Nut	40	Locking washer
10	Drain plug	41	Spring washer
11	16x3.55 O-ring	42	M4 x6 bolt
12	Flat washer	43	Cable clip
13	ST6.3x19 Self tapping screw	44	ST4.2x14 Self-tapping screw
14	Sealing ring	45	Connection knob
15	Diffuser	46	Spring washer
16	Impeller	47	M4 x 6 bolt
17	Mechanical seal	48	Seal sheath
18	Base casting	49	Seal mat
19	Casing seal	50	Cover box nut
20	Switch seal washer	51	Power cable
21	End cover	52	Circlip for shaft
22	Even washer	53	Rotor
23	Spring washer	54	6204 Ball bearing
24	M8x40 Hex head bolt	55	Wave spring
25	Waterproof ring	56	47 x3.1 O-Ring
26	Pump support	57	M5 x175 Hex head bolt
27	M8x22 socket head cap screws	58	End plate
28	ST4.2x16 countersunk bolt	59	V-sealing ring
29	Nameplate	60	Fan
30	Terminal cover	61	Flat washer
31	Seal washer	62	Fan cover

UK DECLARATION OF CONFORMITY

**UK
CA**

**Clarke[®]
INTERNATIONAL**
Hennell Street, Epping, Essex, CM16 4LG

DECLARATION OF CONFORMITY

This is an important document and should be retained.

Product Description: 1hp Swimming Pool Pump
Model number(s): SPP10A
Serial / batch Number: N/A
Date of Issue: 18/03/2022
(Noise Conformity)
Notified Body: n/a

Technical Documentation Holder: A.R. Pond
Clarke International
25 Shrubland Road
London E10 7RB
UK

Conformity Assessment Procedure: to 2000/14/EC Annex VI
Manufacturer: Clarke International
Noise Related Value: 1.1 kW
Measured Sound Power Level: 75 dB
Guaranteed Sound Power Level: 78 dB

SPP10A UKCA Clarke DDC 031822

Page 1 of 2

**Clarke[®]
INTERNATIONAL**
Hennell Street, Epping, Essex, CM16 4LG

DECLARATION OF CONFORMITY

This is an important document and should be retained.

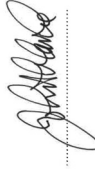
We hereby declare that this product(s) complies with the following statutory requirement(s):
Electromagnetic Compatibility Regulations 2016
Electrical Equipment (Safety) Regulations 2016
The Restriction of the Use of Certain Hazardous Substances in Electrical and Electronic Equipment Regulations 2012
Noise Emission in the Environment by Equipment for Use Outdoors Regulations 2001

The following standards have been applied to the product(s):
EN 55014-1:2006/A2:2011, EN 55014-2:2015, EN 61000-3-2:2014, EN 61000-3-3:2013,
EN 60335-2-41:2003/A2:2010, EN 60335-1:2012/A2:2019, EN 62321-1:2013, EN 62321-2:2014,
EN 62321-3:1:2014, EN 62233:2008.

The technical documentation required to demonstrate that the product(s) meet(s) the requirement(s) of the aforementioned legislation has been compiled and is available for inspection by the relevant enforcement authorities.

The UKCA mark was first applied in: 2022

Signed:



J.A. Clarke
Director

SPP10A UKCA Clarke DDC 031822

Page 2 of 2

EU DECLARATION OF CONFORMITY



Clarke[®]
INTERNATIONAL
Fitzwilliam Hall, Fitzwilliam Place, Dublin 2

DECLARATION OF CONFORMITY

This is an important document and should be retained.

We hereby declare that this product(s) complies with the following directive(s):

- 2014/30/EU Electromagnetic Compatibility Directive.
- 2014/35/EU Low Voltage Equipment Directive.
- 2011/65/EU Restriction of Hazardous substances (amended by EU/2015/863)
- 2000/14/EC Noise Emissions Directive, (amended by 2005/88/EC).

The following standards have been applied to the product(s):

- EN 55014-1:2006/A2:2011, EN 55014-2:2015, EN 61000-3-2:2014, EN 61000-3-3:2013,
- EN 60335-2-41:2003/A2:2010, EN 60335-1:2012/A2:2016, EN 60335-1:2013, EN 62321-2:2014,
- EN 62321-3-1:2014, EN 62233:2008.

The technical documentation required to demonstrate that the product(s) meet(s) the requirement(s) of the aforementioned directive(s) has been compiled and is available for inspection by the relevant enforcement authorities.

The CE mark was first applied in: 2020

Signed:

J.A. Clarke
Director

SPP10A CE Clarke DOC 031823 R1.doc

Page 2 of 2



Clarke[®]
INTERNATIONAL
Fitzwilliam Hall, Fitzwilliam Place, Dublin 2

DECLARATION OF CONFORMITY

This is an important document and should be retained.

Product Description: 1hp Swimming Pool Pump

Model number(s): SPP10A

Serial / batch Number: N/A

Date of Issue: 18/03/2022

(Noise Conformity)

Notified Body: n/a

Technical Documentation Holder:

A. R. Pond
Clarke International
2a Shrubland Road
London E10 7RB
UK

Conformity Assessment Procedure: to 2000/14/EC Annex VI

Manufacturer: Clarke International

Noise Related Value: 1.1kW

Measured Sound Power Level: 75 dB

Guaranteed Sound Power Level: 78 dB

SPP10A CE Clarke DOC 031823 R1.doc

Page 1 of 2

A SELECTION FROM THE VAST RANGE OF

Clarke®

QUALITY PRODUCTS



AIR COMPRESSORS

From DIY to industrial, Plus air tools, spray guns and accessories.

GENERATORS

Prime duty or emergency standby for business, home and leisure.

POWER WASHERS

Hot and cold, electric and engine driven - we have what you need

WELDERS

Mig, Arc, Tig and Spot. From DIY to auto/industrial.

METALWORKING

Drills, grinders and saws for DIY and professional use.

WOODWORKING

Saws, sanders, lathes, mortisers and dust extraction.

HYDRAULICS

Cranes, body repair kits, transmission jacks for all types of workshop use.

WATER PUMPS

Submersible, electric and engine driven for DIY, agriculture and industry.

POWER TOOLS

Angle grinders, cordless drill sets, saws and sanders.

STARTERS/CHARGERS

All sizes for car and commercial use.

PARTS & SERVICE:

0208 988 7400

Parts Enquiries

Parts@clarkeinternational.com

Servicing & Technical Enquiries

Service@clarkeinternational.com

SALES: UK 01992 565333 or Export 00 44 (0)1992 565335

Clarke INTERNATIONAL Hemnall Street, Epping, Essex CM16 4LG
www.clarkeinternational.com